

1

2

3

4

A

A

B

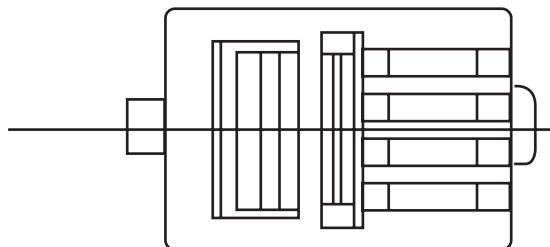
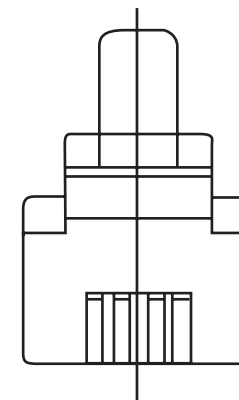
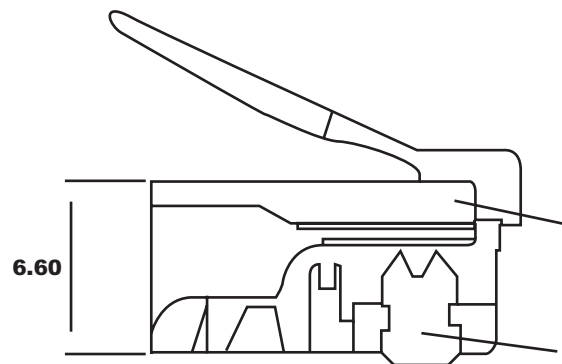
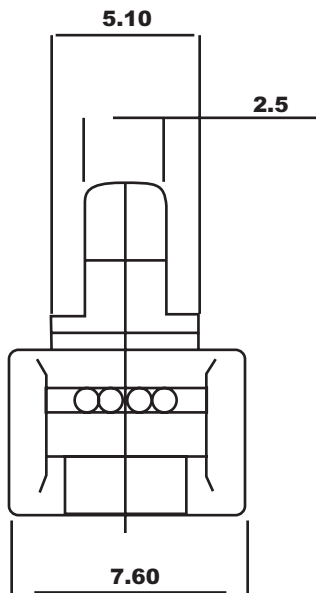
B

C

C

D

D



Description	
Name : A-MO-4_4-SF-R	

No.	Part/Name	Material
1	Housing	
2	Contact	Phosphor Bronze. Au 6u"

THIS DRAWING IS UNPUBLISHED
 © Copyright 2005 by Assmann Electronic Components All International Rights Reserved
 This drawing is a controlled document for Assmann Electronics, Inc. It is subject to change and the controlling engineering organization should be contacted for the latest revision.

1

2

3

4